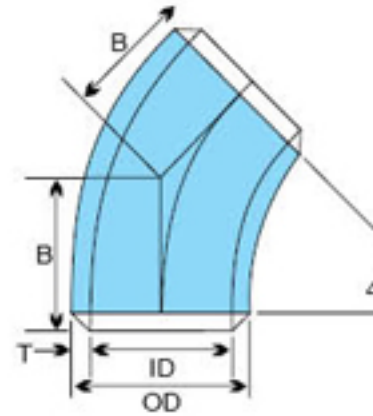


**90°ELBOW**



**45°ELBOW**

**KS B1541 / KS B1543, JIS B2312 / JIS B2313**

Nominal Pipe Size	Outside Diameter OD	Sch 5s		Sch 10s		Sch 20s		A(90°)
		ID	T	ID	T	ID	T	
15	21.7	18.4	1.65	17.5	2.1	16.7	2.5	38.1
20	27.2	23.9	1.65	23.0	2.1	22.2	2.5	38.1
25	34.0	30.7	1.65	28.4	2.8	28.0	3.0	38.1
32	42.7	39.4	1.65	37.1	2.8	36.7	3.0	47.6
40	48.6	45.3	1.65	43.0	2.8	42.6	3.0	57.2
50	60.5	57.2	1.65	54.9	2.8	53.5	3.5	76.2
65	76.3	72.1	2.10	70.3	3.0	69.3	3.5	95.3
80	89.1	84.9	2.10	83.1	3.0	81.1	4.0	114.3
90	101.6	97.4	2.10	95.6	3.0	93.6	4.0	133.4
100	114.3	110.1	2.10	108.3	3.0	106.3	4.0	152.4
125	139.8	134.2	2.80	133.0	3.4	129.8	5.0	190.5
150	165.2	159.6	2.80	158.4	3.4	155.2	5.0	228.6
200	216.3	210.7	2.80	208.3	4.0	203.3	6.5	304.8
250	267.4	260.6	3.40	259.4	4.0	254.4	6.5	381.0
300	318.5	310.5	4.00	309.5	4.5	305.5	6.5	457.2

1 | 2